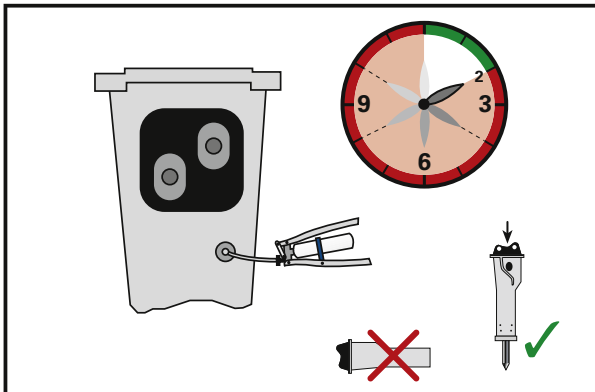
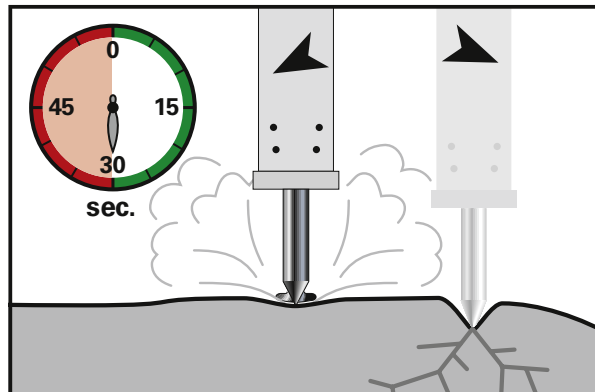


# HANDLING OF DEMOLITION TOOLS

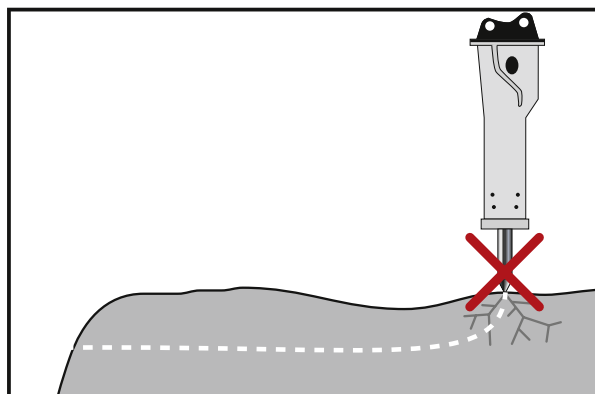
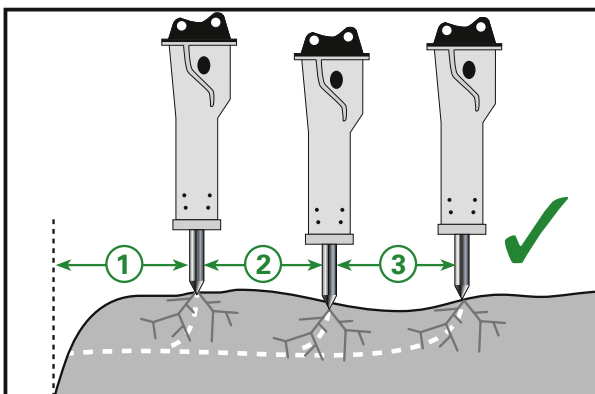
Lubricate demolition tools at regular intervals. When lubricating, observe the correct position to avoid over greasing.



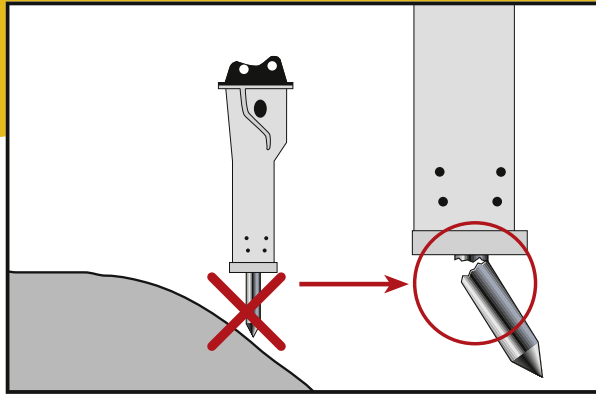
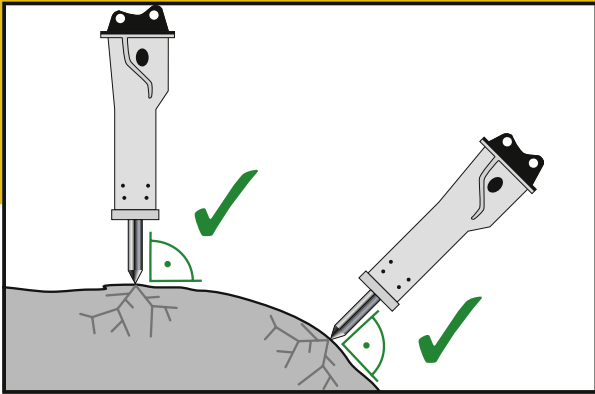
Reposition the demolition tool at regular intervals during operation to avoid overheating of the material.



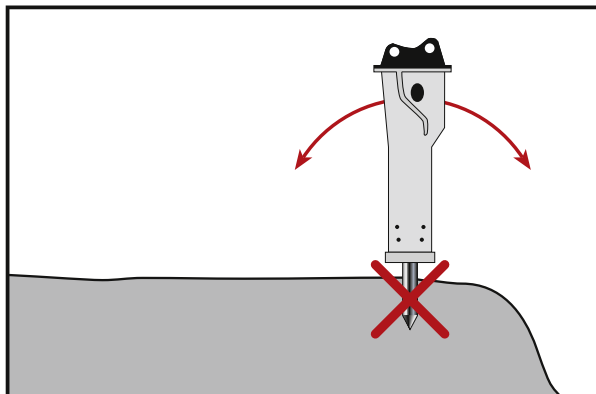
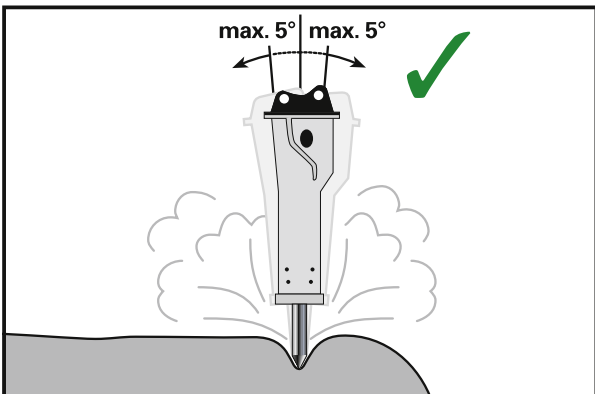
Advancing in large steps will decrease your performance, advancing in small steps is more efficient and increases your productivity.



Demolition tools should always be positioned at right angles to the working surface to avoid long-term secondary damage.



Rock the breaker gently during operation to allow the dust to escape from beneath the tip of the demolition tool, and never attempt to use the hydraulic breaker as a crowbar.



Try to avoid bending stresses on demolition tools at all times to avoid overstressing of the material.

